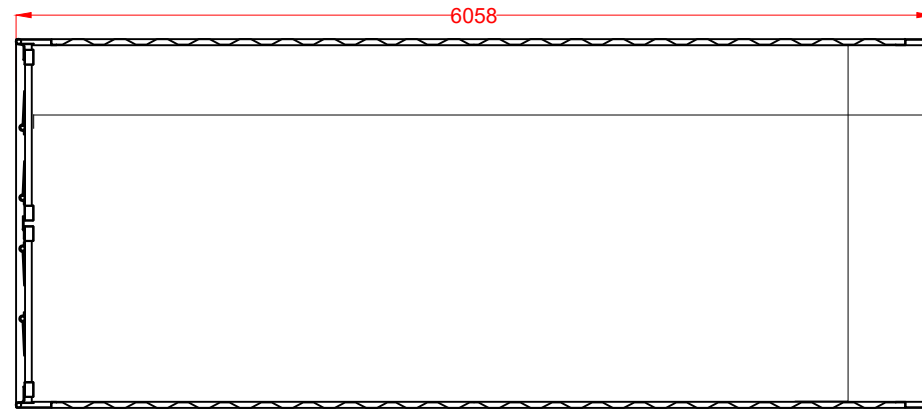
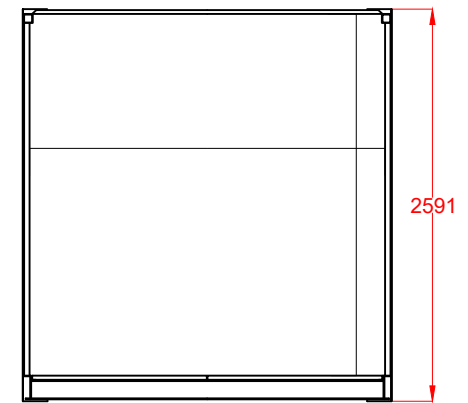


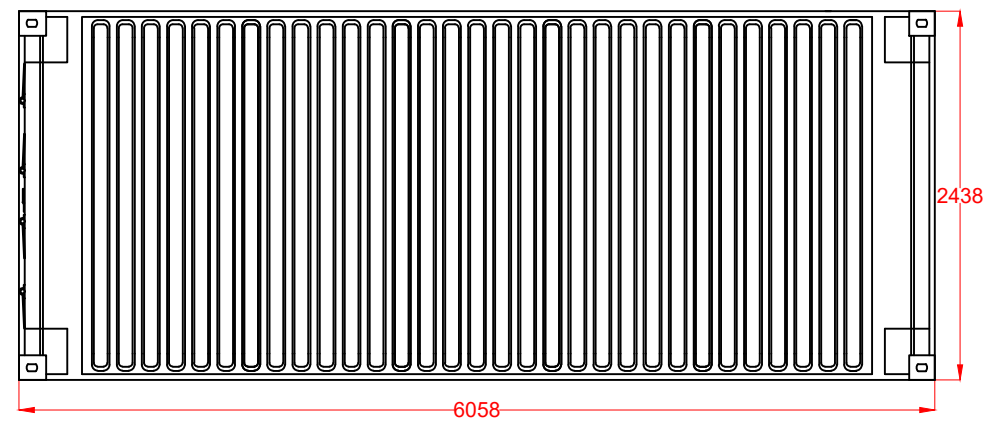
Plan View



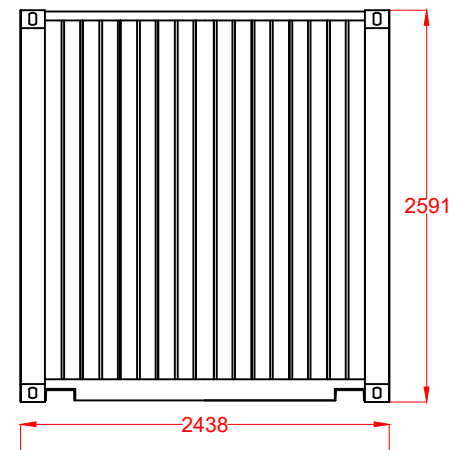
Cross -Section



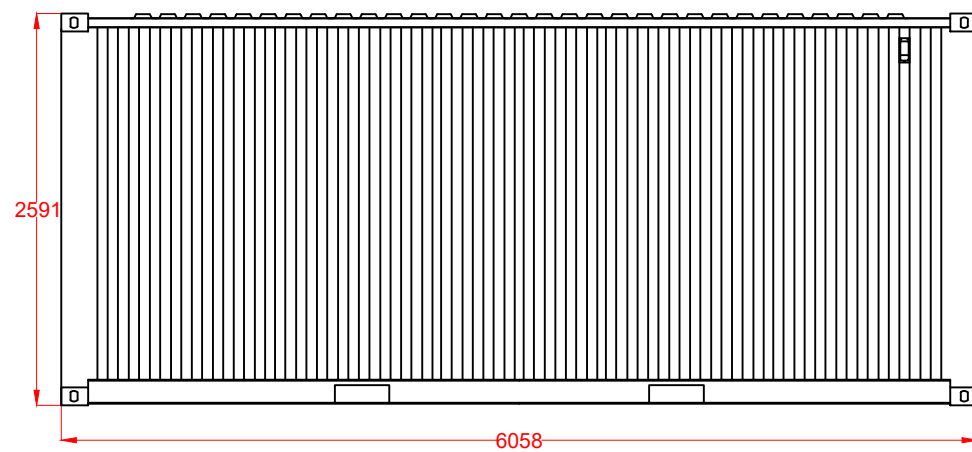
Roof Plan



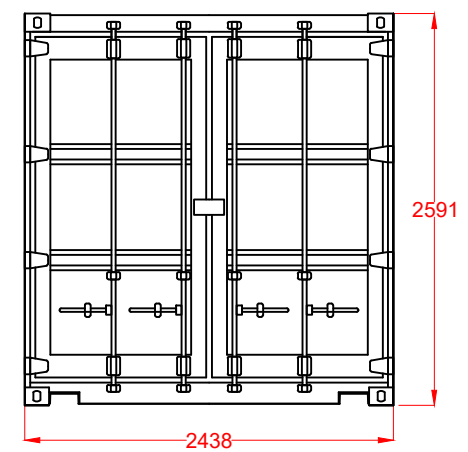
Front Elevation



Side Elevation



Door Elevation



No	INFORMATION	By	Date	Chkd
A	FIRST ISSUE	MM	29.11.23	GJ
REVISIONS				
PROJECT NUMBER: BRAXBESS STORAGE				
CLIENT: BRAXBESS				
LOCATION: Barns Ness Terrace, Thurston, Innerwick, East Lothian, Scotland, EH42 1SE				
DRAWING TITLE: PUMPING STATION CONTAINER				
CAD REFERENCE: 00-BRANXTON -313				
SCALE:	1:50 @ A3	SHEET:	1 OF 1	
DRAWN BY:	MM	DATE:	29.11.23	
CHECKED BY:	GJ	DATE:	29.11.23	
AVON UTILITIES & GENERATION Ltd UNIT 1, MOULDINGS GREEN, KENILWORTH ROAD, MERIDEN, CV7 7LJ				