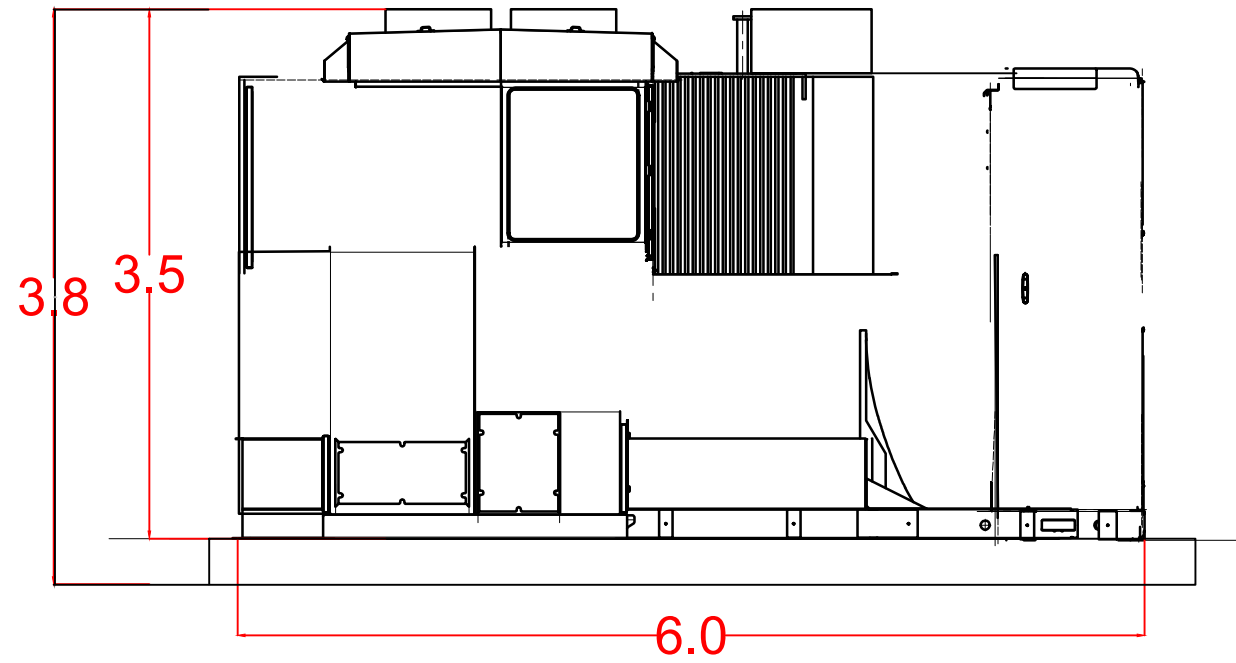
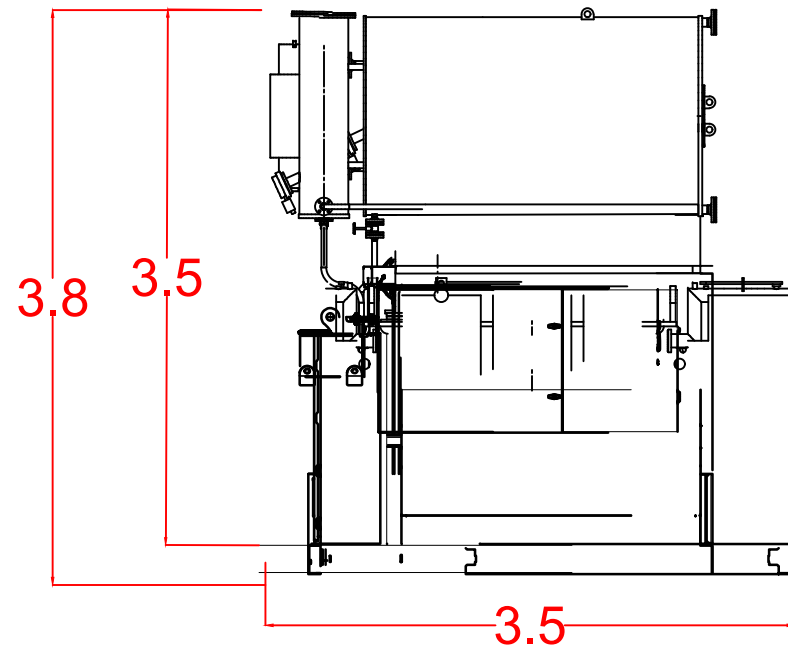


BOTTOM VIEW



LEFT VIEW



FRONT VIEW

No	REVISIONS	By	Date	Chkd
A	FIRST ISSUE	MM	16.10.23	GJ
PROJECT NUMBER: BRAXBESS STORAGE				
CLIENT: BRAXBESS				
LOCATION: Barns Ness Terrace, Thurston, Innerwick, East Lothian, Scotland, EH42 1SE				
DRAWING TITLE: TRANSFORMER ARRANGEMENT				
CAD REFERENCE: 00-BRANXTON-303				
SCALE: 1:50 @ A3		SHEET: 1 OF 1		
DRAWN BY: MM		DATE: 16.10.23		
CHECKED BY: GJ		DATE: 16.10.23		
AVON UTILITIES & GENERATION Ltd UNIT 1, MOULDINGS GREEN, KENILWORTH ROAD, MERIDEN, CV7 7LJ				